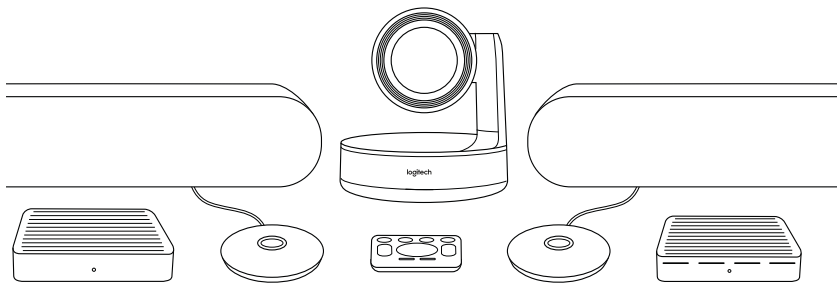


RALLY PLUS

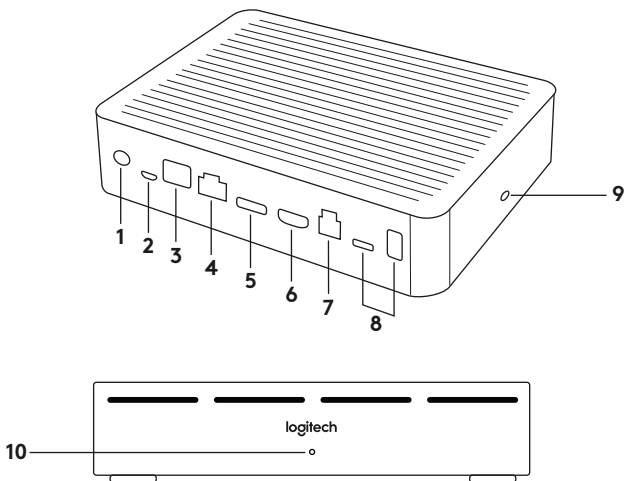
Setup Guide | Guide d'installation



logitech®

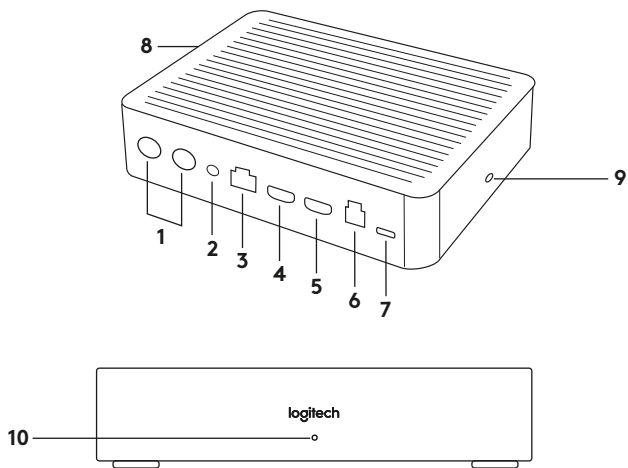
WHAT'S WHAT

TABLE HUB



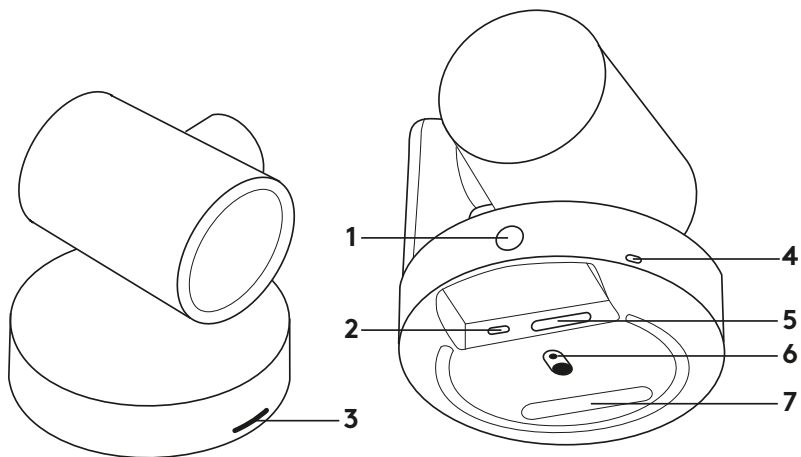
- | | |
|------------------------------|------------------------------|
| 1. Power | 7. Meeting Room Computer USB |
| 2. Mic Pod | 8. Future Expansion |
| 3. Future Expansion | 9. Security Slot |
| 4. Connection To Display Hub | 10. Power LED |
| 5. HDMI 1 In | |
| 6. HDMI 2 In | |

DISPLAY HUB



- | | |
|------------------------------|---------------------------|
| 1. Speaker | 7. Camera |
| 2. Power | 8. Security Slot |
| 3. Connection To Table Hub | 9. Remote Control Pairing |
| 4. HDMI 1 Out | 10. Power LED |
| 5. HDMI 2 Out | |
| 6. Meeting Room Computer USB | |

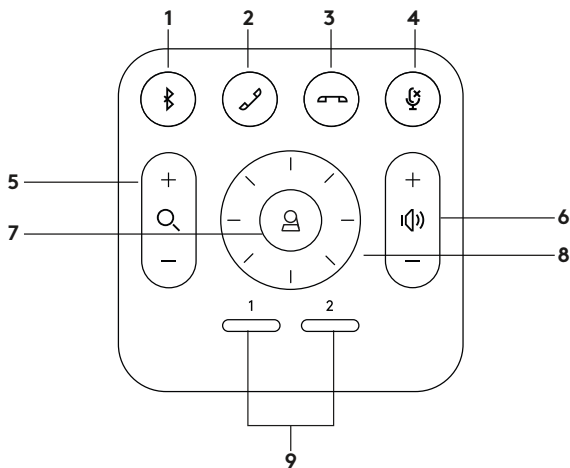
CAMERA



- 1. Remote control pairing button
- 2. USB
- 3. Status LED

- 4. Security slot
- 5. MIPI
- 6. Tripod Thread
- 7. Expansion Slot

REMOTE



1. Bluetooth pairing
2. Call answer
3. Call end
4. Microphone mute
5. Zoom in/out

6. Volume up/down
7. Home
8. Camera pan/tilt
9. Camera presets

After completing the installation, the system can be checked by running the diagnostic application available at Logitech.com/support/Rally.

MAKE RALLY PLUS THE DEFAULT DEVICE

Ensure that RALLY PLUS is chosen as the camera, speaker and microphone in your video conferencing applications. Please consult the application documentation for further instructions on how to do this.

STARTING A VIDEO CALL

After installing RALLY PLUS and ensuring it is the default device in your video conferencing application, simply start the application in the normal manner and enjoy the benefits of improved audio and video.

PAIRING RALLY PLUS TO A BLUETOOTH DEVICE

You can use RALLY PLUS for audio calls when paired to a Bluetooth device. To pair your Bluetooth device to RALLY PLUS, follow these simple step:

- 1.** Press and hold the Bluetooth button on the remote control until you see a flashing blue light on the camera and microphones.
- 2.** Place your mobile device in Bluetooth pairing mode and select “Logitech Rally”.
- 3.** You are now ready to use RALLY PLUS for audio calls.

PAIRING A REMOTE CONTROL TO RALLY PLUS

RALLY PLUS and the remote control are paired at the factory. You can pair up to 5 remote controls to RALLY PLUS to make it easier to control the system in larger rooms. Or, if you need to pair a remote to the camera, such as when replacing a lost remote, do the following:

1. Press and hold the button on the camera until the LED flashes.
2. Press and hold the button on the Display Hub until the LED flashes.
3. Press and hold the Bluetooth button on the remote control until the LEDs on both the camera and Display Hub stop flashing.
4. If the pairing fails, repeat from step 1.

CAMERA SETTINGS APPLICATION

Use this program to control the camera pan, tilt, zoom, focus, and image quality (like brightness and contrast) from your computer. The software can be downloaded from www.logitech.com/support/Rally.

ENHANCING RALLY

There are several optional accessories that ease installation and allow RALLY PLUS to be used in larger rooms:

1. **Rally Mounting Kit:** Mounting brackets for the Table Hub, Display Hub, Camera and Speakers.
2. **Extra Mic Pods:** RALLY PLUS can support up to 7 Mic Pods allowing great flexibility in room size and configuration.
3. **Mic Pod Hub:** Used to branch microphone routing and run most of the Mic Pod cabling is below the table. The Mic Pod Hub has 3 jacks that can be connected to a combination of Mic Pods or other Mic Pod Hubs.
4. **TV mount:** Works with one of either the Camera or Speaker mounting brackets. The TV Mount can be used in pairs to mount the Camera and Speaker above and below the TV.

FOR MORE INFORMATION

You can find additional information on RALLY PLUS including:

- FAQs
- Software to enable functions in various application
- How to order replacement parts and more at www.logitech.com/support/Rally